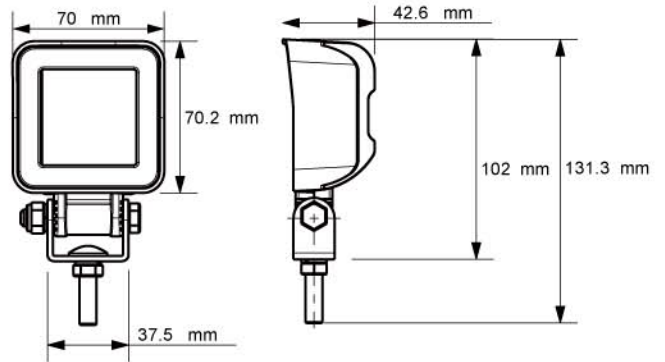
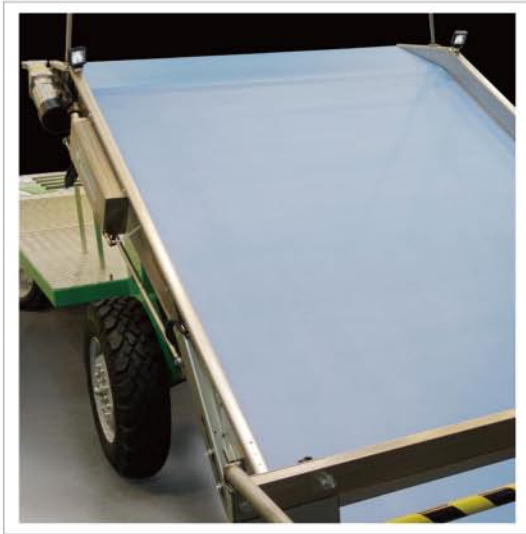


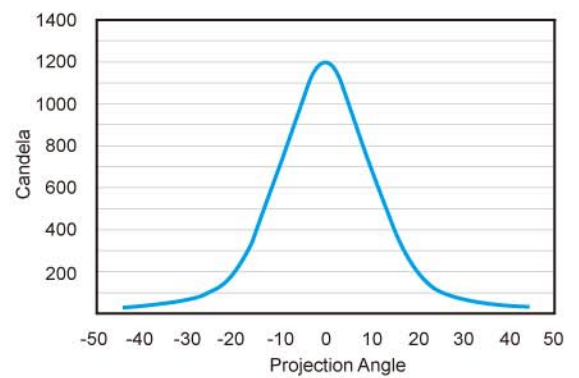
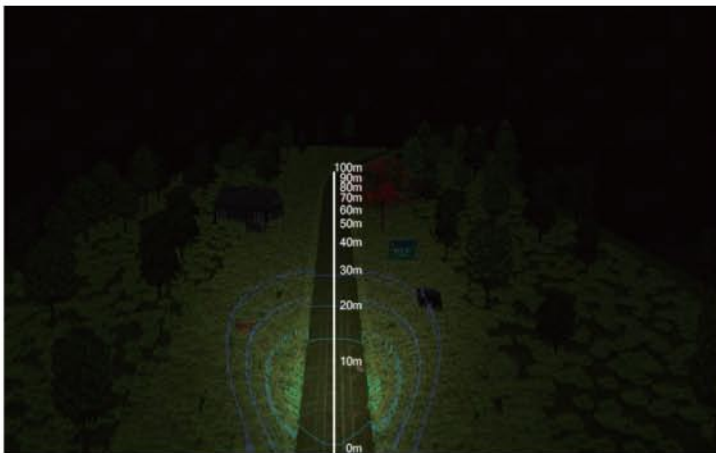
ANTI-CORROSION LED WORK LAMP

22846

- Compact design suits various applications
- Low power consumption
- Budget version
- Ultra light weight
- High resistance to corrosion
- 64% of raw lumen emission without compromising thermo management



Virtual Reality



Specs				Material		Resistant	
Voltage	12~36V	Current Draw	13.5V at 0.60A±0.05A	Lens	PC	Water	✓
Flood	✓		28V at 0.30A±0.05A	Housing	Thermo conductive plastic	Dust	✓
SMD high power LEDs	3	Connection	300 mm cable	Bracket	stainless steel	Shock	✓
Watt	8.4	IP Rating	IP67	Hardware	stainless steel	Warpage	✓
Raw lumen	720	Weight	160g			Temperature	-30°C~50°C
Effective lumen	460	Std pack qty	50				
HV CD	1200						