



GUIDER<sup>9</sup>



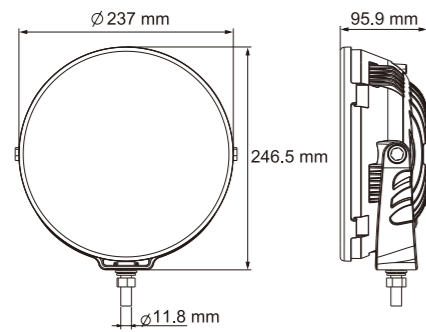
Snap-on cover for easy mounting



Cover 69836



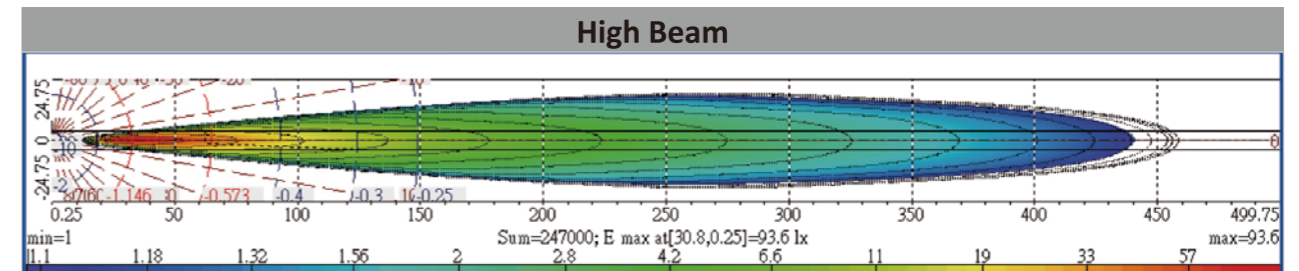
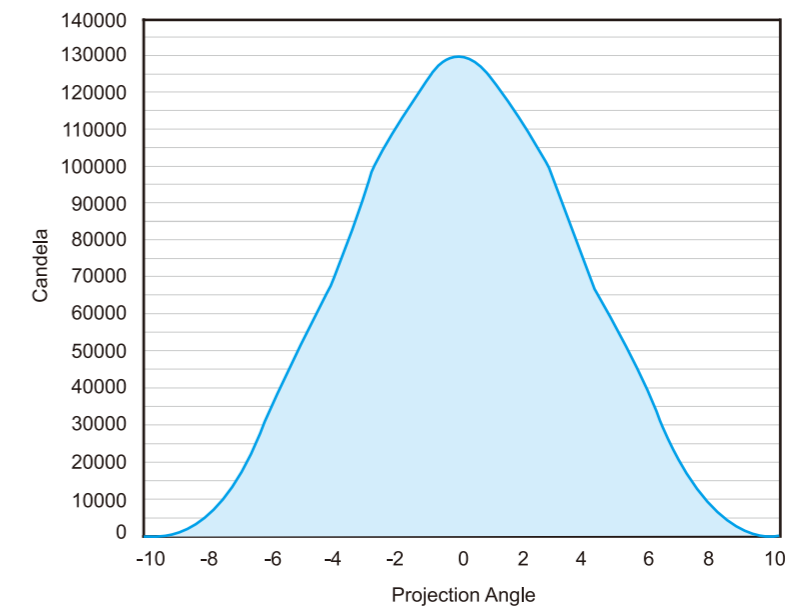
Front Position



2x INSIDE VALUE PACK

## 22836

- ◆ High Power 9W LEDs for exceptional performance (reference no. 30)
- ◆ Optimal illumination provides excellent visibility
- ◆ Increase driver and comfort by reducing eye fatigue
- ◆ Engineered to withstand extreme vibration, shock, and dust
- ◆ Perfected heat management for long-lasting performance
- ◆ Aluminum alloy housing for ultra-light weight (2450g)
- ◆ Suitable for extreme terrains and climates
- ◆ Complies with E-mark regulations
- ◆ Protection cover 69836 is available upon request



Part No.	Voltage	5 SMD high power LEDs				Current Draw	Connection	Weight
		Watt	Raw Lumen	Effective Lumen	HV CD			
22836	12~36V	50	3000	1800	130000	13.5V at 3.34A±0.31A 28V at 1.72A±0.21A	300 mm cable	2450g
Front position	High beam	Cover	Material					
•	•	69836	Lens	Cover	Housing	Bracket	Hardware	
			PC	PP	aluminum	zinc cast	stainless steel	
Resistant							Std pack qty	
Dust	Shock	Warpage	Temperature			4		
•	•	•	-30°C~50°C					

