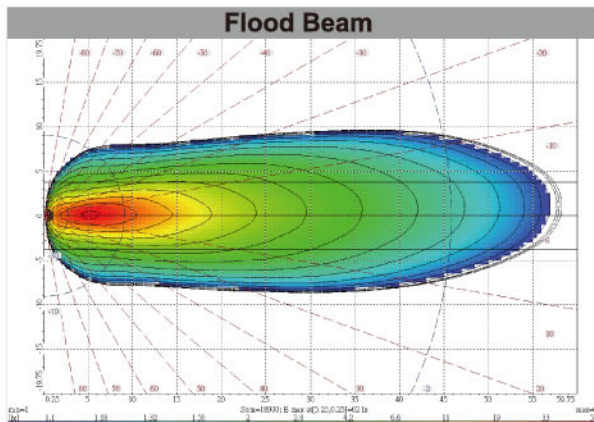
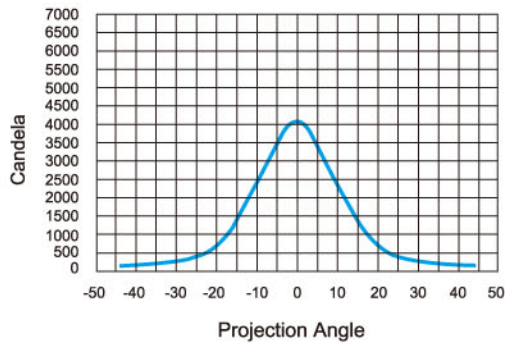
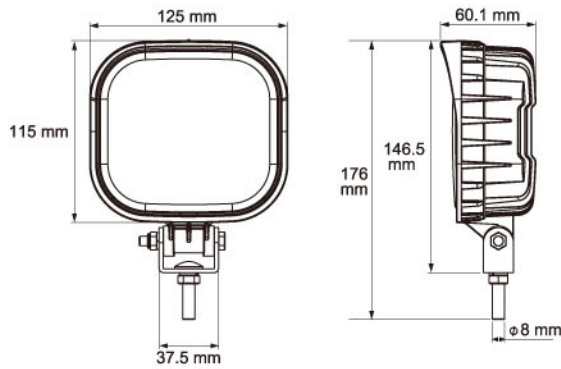


# LED WORK LAMP



## 22818-B

- Even fading pattern without hotspots
- **12~80V** multivoltage design application perfectly suits heavy machinery
- Low power consumption

<b>Voltage</b>	12~80V
<b>beam pattern</b>	Flood
<b>SMD high power LEDs</b>	9
<b>Watt</b>	22
<b>Raw Lumen</b>	2160
<b>Effective Lumen</b>	1492
<b>HV CD</b>	4100
<b>Current Draw</b>	13.5V at 1.65A±0.28A 28V at 1.0A±0.1A 80V at 0.42A±0.05A
<b>Connection</b>	280mm cable
<b>Weight</b>	682g
<b>IP Rating</b>	IP69K
<b>Std Pack Qty</b>	20

<b>Material</b>	
<b>lens</b>	PC
<b>housing</b>	aluminum
<b>bracket</b>	stainless steel
<b>hardware</b>	stainless steel
<b>Resistant</b>	
<b>water</b>	✓
<b>dust</b>	✓
<b>shock</b>	✓
<b>warpage</b>	✓
<b>temperature</b>	-30°C ~ 50°C

